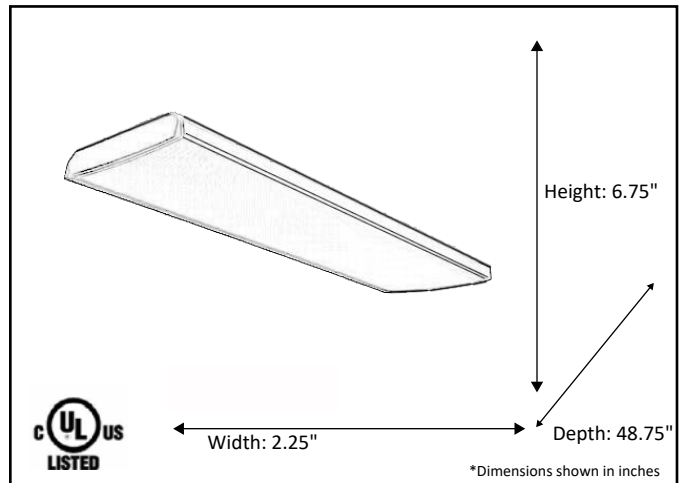


Model #	LED-WRAP-2x4-WH-120V
SKU	18353
Description	Flush Mount Wrap
Finish	White
Dimensions- HxWxD <small>(Dimensions shown in inches)</small>	6.75" x 2.5" x 48.75"
Lumens	N/A
Wattage	N/A
CCT (Kelvin)	N/A
Dimmable	No
Rated Life Hours	N/A

Finish: White



ELECTRICAL REQUIREMENTS: Fixture requires a grounded electrical supply line of 120 volts AC.

INSTALLATION REQUIREMENTS: Fixture attaches to electrical junction box securely anchored in wall or ceiling.
All mounting hardware included.

HOMEnhancements / 1505-A Kelly Blvd., Carrollton, TX. 75006

Product specifications subject to change without notice.

REFERENCE	QTY.	REMARKS	Project
			Location/Type
			Architect
			Engineer
			Contractor
			Submitted By: Date: